

PRODUCT DOCUMENTATION



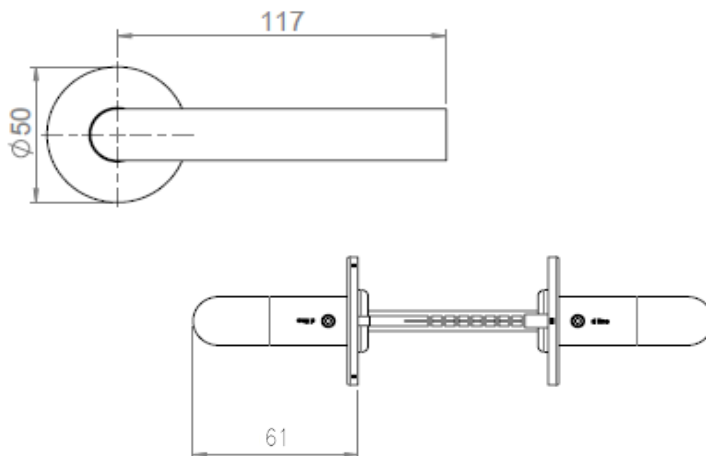
Product Name: Lever handle 19 L w/snap on roses

Article Number: 14.1616.02.010
Satin stainless steel
16.1616.01.010
Polished stainless steel

Photo:



Drawing:



Product Information:

Material: AISI 316 stainless steel
Surface finish: Satin 320 grain or polished
Material thickness/radius: \varnothing 19 mm
Height: Width: Depth:
50 mm 142 mm 61 mm

Product Specification:

d line 19 mm L shaped door handle w/ball bearing snap on cover roses cc30/38 mm, 8x8 mm spindle, for doors 33-59 mm, AISI 316 sss

d line 19 mm L shaped door handle w/ball bearing snap on cover roses cc30/38 mm, 8x8 mm spindle, for doors 33-59 mm, AISI 316 pss

Certificate: EN 1906, Class 4
Warranty: 20 years (non-mechanical/-electronic parts)

d line products are always produced in the highest quality stainless steel AISI 316. d line is a simple and functional design, but the minimalistic exterior hides advanced technic that ensures the hardware's strenght and durability for many years.

Spare Parts/Accessories:

14.9701.02.019 Crub screw M5x8,3
14.2961.74.107 Section bolt set M4x110 with bush
14.2810.92.092 Spindle for door 33-59 mm
14.9767.00.105 TX10 tool kit
14.2930.02.002 Snap on cover tool

Related Products:

14.1611.02.017 19 mm L lever w/solid roses cc30 mm
14.1612.02.010 19 mm L lever w/solid roses cc38 mm
One or the other - depending from the lockcase

Mounting:

See instruction supplied with the product

Packing:

1 pair in a bag, 5 bags per box

Maintenance:

Wash down with mild detergent, rinse off with clean water, and dry off with soft dry cloth. Please do not use scouring powders, steel wool or aggressive cleaning products as these may damage the surface. If spots appear on the surface it is not due to the stainless steel, but to impurities in the environment or the use of aggressive cleaning agents.

Environment:

No environmental risk and no risk of fire.