

# PRODUCT DOCUMENTATION



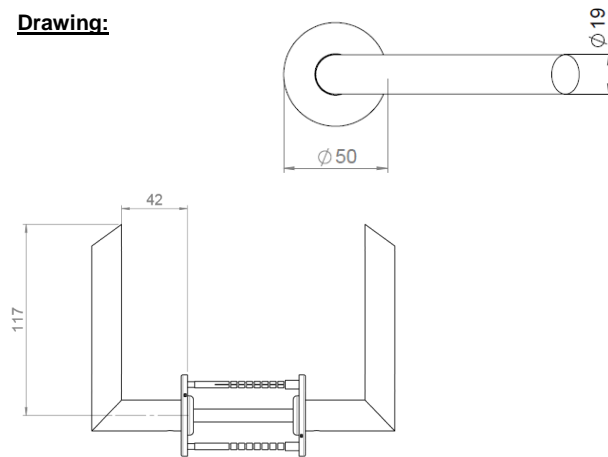
**Product Name:** Lever handle 19 FF pair 8x8 mm, snap on cover rose

**Article Number:** 14.2516.02.010  
*Satin stainless steel*  
16.2516.01.010  
*Polished stainless steel*

**Photo:**



**Drawing:**



**Product Information:**

Material: AISI 316 stainless steel  
Surface finish: Satin 320 grain or polished  
Material thickness/radius:  $\varnothing 19$  mm  
Height: 50 mm      Width: 142 mm      Depth: 61 mm

**Product Specification:**

d line 19 mm FF shaped door handle w/ball bearing snap on cover roses cc30/38 mm, 8x8 mm spindle, for doors 33-59 mm, AISI 316 sss

d line 19 mm FF shaped door handle w/ball bearing snap on cover roses cc30/38 mm, 8x8 mm spindle, for doors 33-59 mm, AISI 316 pss

Certificate: EN 1906, Class 4  
Warranty: 20 years (non-mechanical/-electronic parts)

d line products are always produced in the highest quality stainless steel AISI 316. d line is a simple and functional design, but the minimalistic exterior hides advanced technic that ensures the hardware's strenght and durability for many years.

**Spare Parts/Accessories:**

14.9701.02.016      Crub screw M5x6,8  
14.2961.74.107      Section bolt set M4x110 with bush  
14.2810.92.092      Spindle for door 33-59 mm  
14.9767.00.105      TX10 tool kit  
14.2930.02.002      Snap on cover tool

**Related Products:**

14.2511.02.010      19 mm L lever w/solid roses cc30 mm  
14.2512.02.010      19 mm L lever w/solid roses cc38 mm  
One or the other - depending from the lockcase

**Mounting:**

See instruction supplied with the product

**Packing:**

1 pair in a bag, 5 bags per box

**Maintenance:**

Wash down with mild detergent, rinse off with clean water, and dry off with soft dry cloth. Please do not use scouring powders, steel wool or aggressive cleaning products as these may damage the surface. If spots appear on the surface it is not due to the stainless steel, but to impurities in the environment or the use of aggressive cleaning agents.

**Environment:**

No environmental risk and no risk of fire.